



Great Lakes Case & Cabinet Co., Inc.


Thank

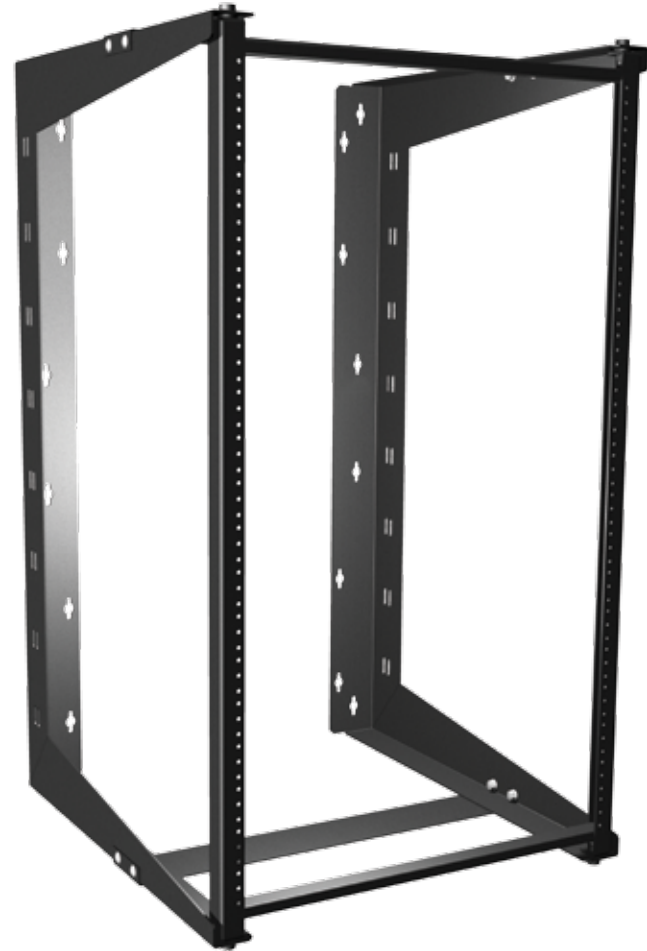
You

**for your
business!**

www.weRackyourWorld.com



19" EIA SRD Swing Rack Installation Instructions



www.weRackyourWorld.com

1-866-TRY-GLCC (879-4522)

GENERAL INFORMATION

PART NO.	H	W	D	RMU
GL24SRD	24.00"	20.75"	24.00"	12
GL36SRD	36.25"	20.75"	24.00"	19
GL48SRD	48.50"	20.75"	24.00"	26

The 24SRD, 36SRD, and 48SRD are made from a combination of 11, 12, and 16 Ga. Steel. All mounting holes are tapped #12-24.

Mounts to most wall types with 1/4" hardware (hardware not included).

All Swing Racks have a 100 lb. weight capacity.

PARTS LIST

COMPONENT	QTY.
BRACES (TOP & BOTTOM)	2
SWING RACK SIDE WITH SWING FRAME ATTACHED	1
SWING RACK SIDE	1
1/4 - 20 X 1/2" CARRIAGE BOLTS	8
1/4 - 20 HEX NUTS WITH SERRATED FLANGE	8
3/8" - 16 SHOULDER BOLTS	2
12-24 X 1/2" LONG, BLACK SCREWS	50

TOOLS REQUIRED: 7/16" NUT DRIVER, PHILLIPS HEAD SCREWDRIVER

STEP 1.

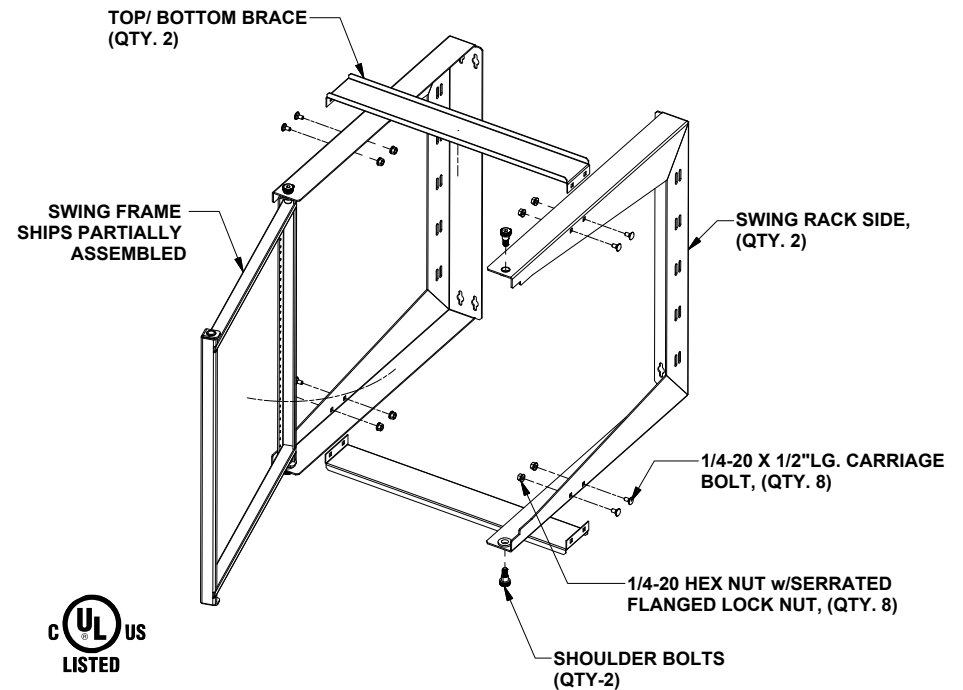
Attach the top and bottom brace to swing rack sides using the 1/4 - 20 x 1/2" carriage bolts and 1/4 - 20 hex nuts.

STEP 2.

Close swing frame and attach using the shoulder bolts.

STEP 3.

Mount the assembly to the wall with four lag screws (these are not provided; The installer is to determine correct hardware for the type of wall). Mounting holes are designed for 1/4" hardware, 16.00" on center.



IMPORTANT

For correct function, be sure that the rack is installed on a secure, flat surface; the rack must also be squared in the vertical and horizontal plane.

When installing a Great Lakes Swing Rack or Wall Mount to materials such as wood, cinder block, concrete, etc., please consider the load capacity within the swing rack or wall mount structure, and be certain to check with local authorities to determine the appropriate hardware requirements for these conditions. Because wall compositions may vary at different installation sites, Great Lakes cannot warrant the fitness or suitability of any installation instructions or installation hardware it may provide for swing rack or wall mount enclosures. Great Lakes hereby **DISCLAIMS ALL WARRANTIES, EXPRESS AND IMPLIED, INCLUDING THE IMPLIED WARRANTIES OF MERCHANTABILITY AND FITNESS FOR A PARTICULAR PURPOSE, REGARDING THE SUFFICIENCY, FITNESS OR SUITABILITY OF ANY INSTALLATION INSTRUCTIONS OR INSTALLATION HARDWARE GREAT LAKES MAY PROVIDE FOR SWING RACKS AND WALL-MOUNTED ENCLOSURES.** Great Lakes recommends that an experienced maintenance and/or technical person be consulted regarding the proper wall-mounting hardware and procedures to be used for the anticipated load capacity of the swing rack or wall mounted enclosure.

Product specifications are subject to change without prior notice.