

CBN-4032

ELECTRICAL SPECIFICATIONS:

BNC CONNECTOR ARE DESIGNED AT NORMAL IMPEDENCE 50 Ω AND ADDITIONALLY AVAILABLE AT 75 Ω IMPEDANCE MATING BY 2-STUD BAYONE LOCK COUPLING. 50 Ω IMPEDANCE FOR APPLICATION UP TO 4GHz AND 75 Ω IMPEDANCE FOR APPLICATION UP TO 1 GHz

STANDARD CROSS REFERENCE

:MIL-L-3608,39012,JIS-5412

VOTAGE RANGE

:AC 500V

WITH STANDING VOLTAGE

:AC 1,500V ONE MINUTE

INSULATION RESISTANCE

:1,000M Ω , MINUTE DC 500V

CONTACT RESISTANCE

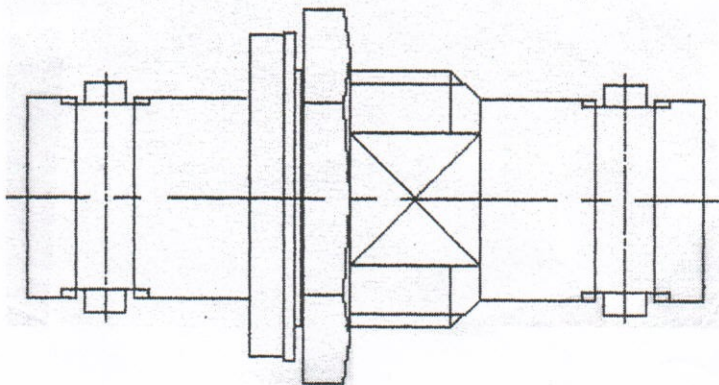
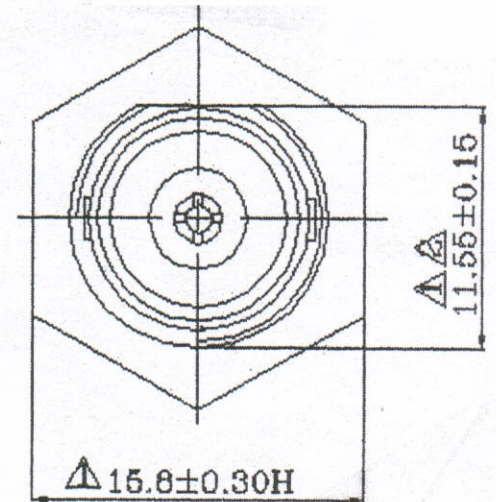
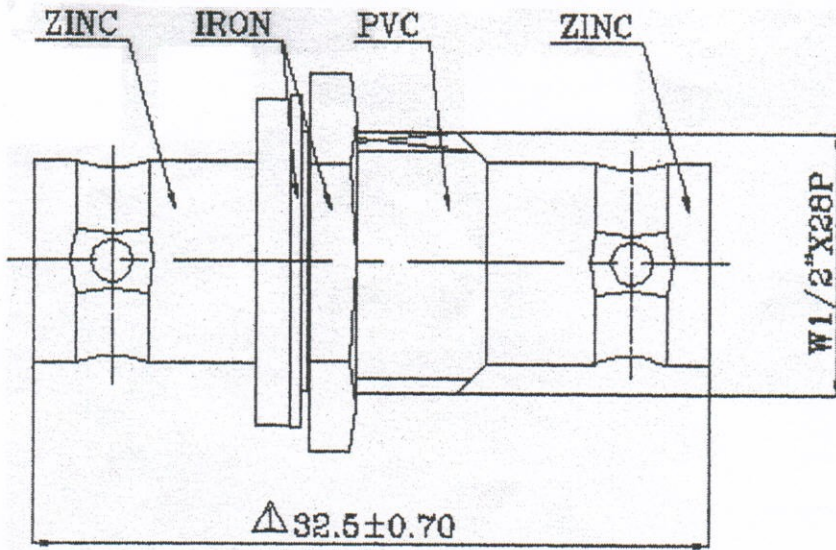
:3M Ω , Max AT DC 1A

FREQUENCY RANGE

:0 ~ 4GHz

VSWR

:1.2Max 0 ~ 2GHz



QUEST
TECHNOLOGY
INTERNATIONAL, Inc.