

- NOTE:
1. 19" EIA RACK MOUNT COMPLIANT.
  2. RAILS ACCEPT 3/8" CAGENUT.
  3. BLACK POWDER COAT.

UNLESS OTHERWISE SPECIFIED:  
DIMENSIONS ARE IN INCHES  
TOLERANCES:  
FRACTIONAL ± 1/8  
ANGULAR: BEND ± 1 DEGREE  
TWO PLACE DECIMAL ± .03  
THREE PLACE DECIMAL ± .01  
Surface Area

**WEB PRINT**

**PROPRIETARY AND CONFIDENTIAL**  
THE INFORMATION CONTAINED IN THIS DRAWING IS THE SOLE PROPERTY OF KENDALL HOWARD. ANY REPRODUCTION IN PART OR AS A WHOLE WITHOUT THE WRITTEN PERMISSION OF KENDALL HOWARD IS STRICTLY PROHIBITED.

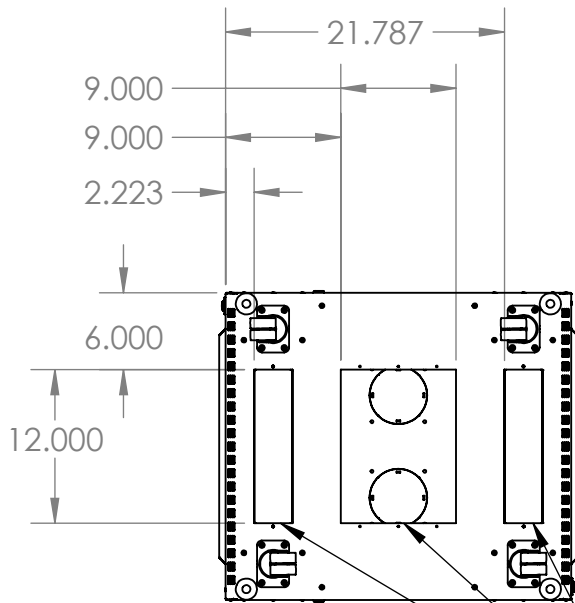
			NAME	DATE
			DRAWN	
			CHECKED	
			ENG APPR.	
			MFG APPR.	
			Q.A.	
			COMMENTS:	
NEXT ASSY	USED ON			
APPLICATION		DO NOT SCALE DRAWING		

**KENDALL HOWARD**

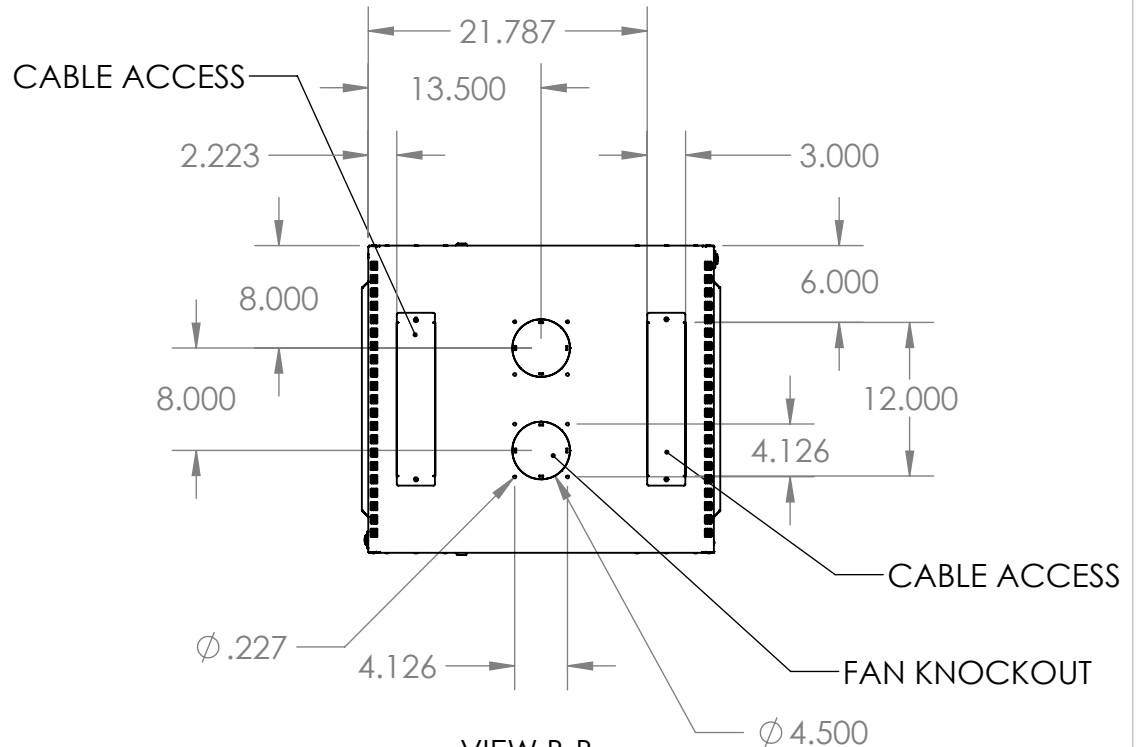
TITLE:  
**42U LINIER AV CONVEX FRONT/ CONVEX REAR**

SIZE DWG. NO. REV  
**A** 3105-3-024-42 WP

SCALE: 1:20 WEIGHT: 151.24 SHEET 1 OF 2



VIEW A-A  
SCALE 1 : 15  
BOTTOM VIEW



VIEW B-B  
SCALE 1 : 15  
TOP VIEW

**PROPRIETARY AND CONFIDENTIAL**  
THE INFORMATION CONTAINED IN THIS DRAWING IS THE SOLE PROPERTY OF KENDALL HOWARD. ANY REPRODUCTION IN PART OR AS A WHOLE WITHOUT THE WRITTEN PERMISSION OF KENDALL HOWARD IS STRICTLY PROHIBITED.


**WEB PRINT**

NEXT ASSY	USED ON
APPLICATION	

UNLESS OTHERWISE SPECIFIED:  
DIMENSIONS ARE IN INCHES  
TOLERANCES:  
FRACTIONAL  $\pm 1/8$   
ANGULAR: BEND  $\pm 1$  DEGREE  
TWO PLACE DECIMAL  $\pm .03$   
THREE PLACE DECIMAL  $\pm .01$

Surface Area	
MATERIAL	
FINISH	
DO NOT SCALE DRAWING	

	NAME	DATE
DRAWN		
CHECKED		
ENG APPR.		
MFG APPR.		
Q.A.		
COMMENTS:		

**KENDALL HOWARD** 

TITLE:  
**42U LINIER AV CONVEX  
FRONT/ CONVEX REAR**

SIZE	DWG. NO.	REV
<b>A</b>	<b>3105-3-024-42 WP</b>	
SCALE: 1:20	WEIGHT: 151.24	SHEET 2 OF 2